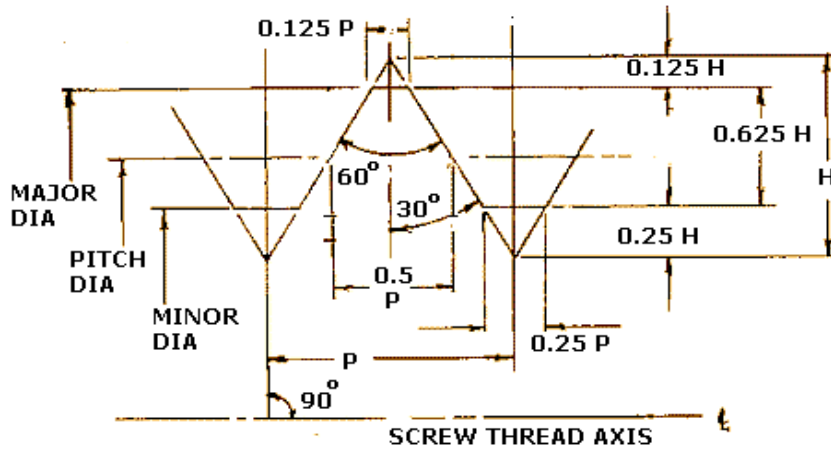


2 7/8-6 UN to 4-16 UN 呼び ねじサイズ 2 7/8-6 UN to 4-16 UN  
 External Thread /Intern:

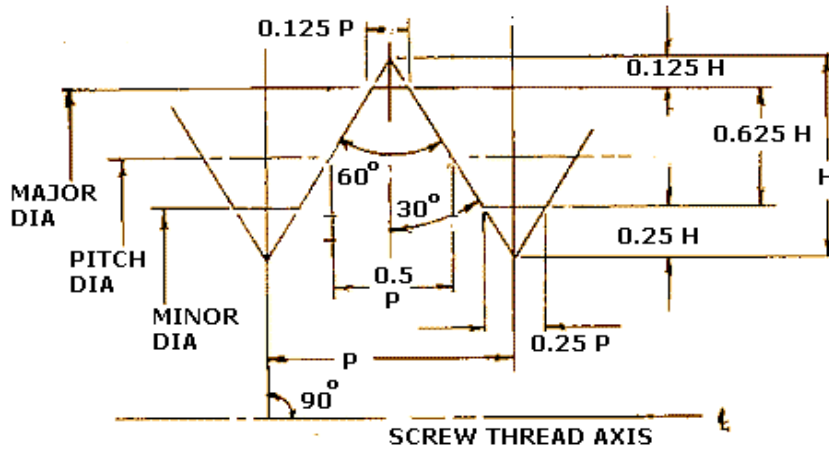


PROFILE OF UN AND UNF SCREW THREADS

著者にはこの数字の意味が理解できていません。

| 呼び                | Class | 公差      | 外径最大値   | 外径最小値   | 最大ピッチ   | 最少ピッチ   | 最大径(最少) |
|-------------------|-------|---------|---------|---------|---------|---------|---------|
| Size, TPI, Series |       |         | 谷径最大値   | 谷径最小値   |         |         |         |
| Ext. 0-80 UNF     | 2A    | 0.0127  | 1.5113  | 1.43002 | 1.30556 | 1.25984 | 1.13284 |
| Int.              | 2B    | 0       | 1.30556 | 1.1811  | 1.37668 | 1.31826 | 1.524   |
| Ext. 0-80 UNF     | 3A    | 0       | 1.524   | 1.44272 | 1.31826 | 1.28524 | 1.14554 |
| Int.              | 3B    | 0       | 1.30556 | 1.1811  | 1.36144 | 1.31826 | 1.524   |
| Ext. 1-64 UNC     | 2A    | 0.01524 | 1.83896 | 1.74244 | 1.58242 | 1.53162 | 1.36652 |
| Int.              | 2B    | 0       | 1.58242 | 1.42494 | 1.6637  | 1.59766 | 1.8542  |
| Ext. 1-64 UNC     | 3A    | 0       | 1.8542  | 1.75768 | 1.59766 | 1.55956 | 1.38176 |
| Int.              | 3B    | 0       | 1.58242 | 1.42494 | 1.64592 | 1.59766 | 1.8542  |
| Ext. 1-72 UNF     | 2A    | 0.01524 | 1.83896 | 1.75006 | 1.61036 | 1.5621  | 1.41986 |
| Int.              | 2B    | 0       | 1.6129  | 1.4732  | 1.6891  | 1.6256  | 1.8542  |
| Ext. 1-72 UNF     | 3A    | 0       | 1.8542  | 1.7653  | 1.6256  | 1.59004 | 1.4351  |
| Int.              | 3B    | 0       | 1.6129  | 1.4732  | 1.67386 | 1.6256  | 1.8542  |
| Ext. 2-56 UNC     | 2A    | 0.01524 | 2.16916 | 2.06502 | 1.87452 | 1.82118 | 1.63068 |
| Int.              | 2B    | 0       | 1.87198 | 1.69418 | 1.96088 | 1.88976 | 2.1844  |
| Ext. 2-56 UNC     | 3A    | 0       | 2.1844  | 2.08026 | 1.88976 | 1.84912 | 1.64592 |
| Int.              | 3B    | 0       | 1.87198 | 1.69418 | 1.9431  | 1.88976 | 2.1844  |
| Ext. 2-64 UNF     | 2A    | 0.01524 | 2.16916 | 2.07264 | 1.91262 | 1.86182 | 1.69672 |
| Int.              | 2B    | 0       | 1.91262 | 1.75514 | 1.99644 | 1.92786 | 2.1844  |
| Ext. 2-64 UNF     | 3A    | 0       | 2.1844  | 2.08788 | 1.92786 | 1.88976 | 1.71196 |
| Int.              | 3B    | 0       | 1.91262 | 1.75514 | 1.97866 | 1.92786 | 2.1844  |
| Ext. 3-48 UNC     | 2A    | 0.01778 | 2.49682 | 2.38252 | 2.15392 | 2.0955  | 1.86436 |
| Int.              | 2B    | 0       | 2.1463  | 1.94056 | 2.2479  | 2.1717  | 2.5146  |
| Ext. 3-48 UNC     | 3A    | 0       | 2.5146  | 2.4003  | 2.1717  | 2.12852 | 1.88214 |
| Int.              | 3B    | 0       | 2.1463  | 1.94056 | 2.22758 | 2.1717  | 2.5146  |
| Ext. 3-56 UNF     | 2A    | 0.01778 | 2.49682 | 2.39268 | 2.20218 | 2.1463  | 1.95834 |
| Int.              | 2B    | 0       | 2.1971  | 2.02438 | 2.29108 | 2.21996 | 2.5146  |
| Ext. 3-56 UNF     | 3A    | 0       | 2.5146  | 2.41046 | 2.21996 | 2.17932 | 1.97612 |
| Int.              | 3B    | 0       | 2.1971  | 2.02438 | 2.2733  | 2.21996 | 2.5146  |
| Ext. 4-40 UNC     | 2A    | 0.02032 | 2.82448 | 2.69494 | 2.413   | 2.3495  | 2.06756 |
| Int.              | 2B    | 0       | 2.38506 | 2.15646 | 2.51714 | 2.43332 | 2.8448  |
| Ext. 4-40 UNC     | 3A    | 0       | 2.8448  | 2.71526 | 2.43332 | 2.38506 | 2.08788 |

2 7/8-6 UN to 4-16 UN 呼び ねじサイズ 2 7/8-6 UN to 4-16 UN  
 External Thread /Intern:

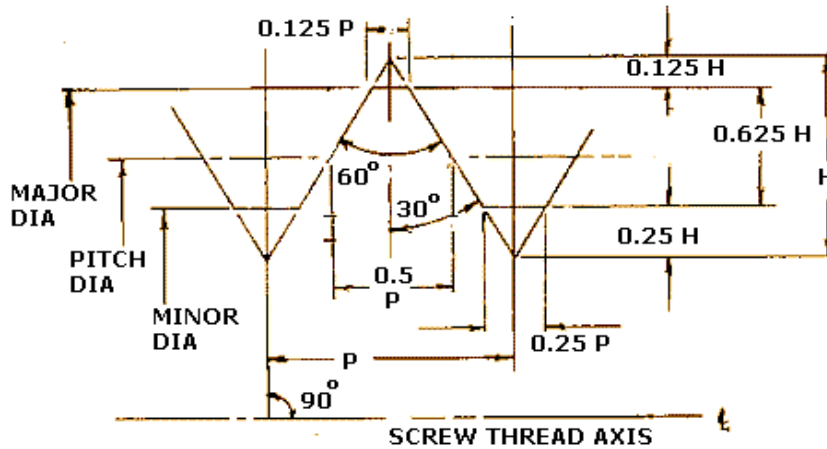


PROFILE OF UN AND UNF SCREW THREADS

著者にはこの数字の意味が理解できていません。

| 呼び                |       |         | 外径最大値   | 外径最小値   |         |         |         |
|-------------------|-------|---------|---------|---------|---------|---------|---------|
| Size, TPI, Series | Class | 公差      | 谷径最大値   | 谷径最小値   | 最大ピッチ   | 最少ピッチ   | 最大径(最少) |
| Int.              | 3B    | 0       | 2.38506 | 2.15646 | 2.49428 | 2.43332 | 2.8448  |
| Ext. 4-48 UNF     | 2A    | 0.01778 | 2.82702 | 2.71272 | 2.48412 | 2.42316 | 2.19456 |
| Int.              | 2B    | 0       | 2.45872 | 2.27076 | 2.58064 | 2.5019  | 2.8448  |
| Ext. 4-48 UNF     | 3A    | 0       | 2.8448  | 2.7305  | 2.5019  | 2.45618 | 2.21234 |
| Int.              | 3B    | 0       | 2.45872 | 2.27076 | 2.56032 | 2.5019  | 2.8448  |
| Ext. 5-40 UNC     | 2A    | 0.02032 | 3.15468 | 3.02514 | 2.7432  | 2.67716 | 2.39776 |
| Int.              | 2B    | 0       | 2.69748 | 2.48666 | 2.84734 | 2.76352 | 3.175   |
| Ext. 5-40 UNC     | 3A    | 0       | 3.175   | 3.04546 | 2.76352 | 2.71526 | 2.41808 |
| Int.              | 3B    | 0       | 2.69748 | 2.48666 | 2.82702 | 2.76352 | 3.175   |
| Ext. 5-44 UNF     | 2A    | 0.01778 | 3.15722 | 3.0353  | 2.7813  | 2.7178  | 2.46888 |
| Int.              | 2B    | 0       | 2.74066 | 2.55016 | 2.88036 | 2.79908 | 3.175   |
| Ext. 5-44 UNF     | 3A    | 0       | 3.175   | 3.05308 | 2.79908 | 2.75082 | 2.48666 |
| Int.              | 3B    | 0       | 2.74066 | 2.55016 | 2.86004 | 2.79908 | 3.175   |
| Ext. 6-32 UNC     | 2A    | 0.02032 | 3.48488 | 3.33248 | 2.96926 | 2.89814 | 2.54    |
| Int.              | 2B    | 0       | 2.8956  | 2.6416  | 3.08356 | 2.98958 | 3.5052  |
| Ext. 6-32 UNC     | 3A    | 0       | 3.5052  | 3.3528  | 2.98958 | 2.93624 | 2.56032 |
| Int.              | 3B    | 0       | 2.8956  | 2.6416  | 3.05816 | 2.98958 | 3.5052  |
| Ext. 6-40 UNF     | 2A    | 0.02032 | 3.48488 | 3.35534 | 3.0734  | 3.00736 | 2.72796 |
| Int.              | 2B    | 0       | 3.0226  | 2.8194  | 3.18008 | 3.09372 | 3.5052  |
| Ext. 6-40 UNF     | 3A    | 0       | 3.5052  | 3.37566 | 3.09372 | 3.04292 | 2.74828 |
| Int.              | 3B    | 0       | 3.01244 | 2.8194  | 3.15722 | 3.09372 | 3.5052  |
| Ext. 8-32 UNC     | 2A    | 0.02286 | 4.14274 | 3.99034 | 3.62712 | 3.55346 | 3.19786 |
| Int.              | 2B    | 0       | 3.5306  | 3.302   | 3.7465  | 3.64998 | 4.1656  |
| Ext. 8-32 UNC     | 3A    | 0       | 4.1656  | 4.0132  | 3.64998 | 3.5941  | 3.22072 |
| Int.              | 3B    | 0       | 3.52806 | 3.302   | 3.7211  | 3.64998 | 4.1656  |
| Ext. 8-36 UNF     | 2A    | 0.02032 | 4.14528 | 4.00558 | 3.68808 | 3.61696 | 3.30454 |
| Int.              | 2B    | 0       | 3.6068  | 3.4036  | 3.79984 | 3.7084  | 4.1656  |
| Ext. 8-36 UNF     | 3A    | 0       | 4.1656  | 4.0259  | 11.684  | 3.65506 | 3.32486 |
| Int.              | 3B    | 0       | 3.59664 | 3.4036  | 3.77698 | 3.7084  | 4.1656  |
| Ext. 10-24 UNC    | 2A    | 0.0254  | 4.8006  | 4.61772 | 4.11226 | 4.02844 | 3.54076 |
| Int.              | 2B    | 0       | 3.9624  | 3.683   | 4.24688 | 4.13766 | 4.826   |

2 7/8-6 UN to 4-16 UN 呼び ねじサイズ 2 7/8-6 UN to 4-16 UN  
External Thread /Intern



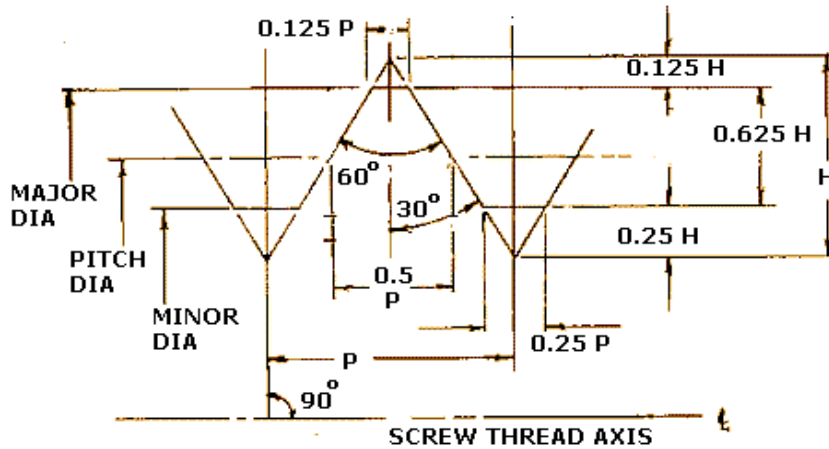
PROFILE OF UN AND UNF SCREW THREADS

著者にはこの数字の意味が理解できていません。

呼び ↓

| Size, TPI, Series | Class | 公差      | 外径最大値<br>谷径最大値 | 外径最小値<br>谷径最小値 | 最大ピッチ   | 最少ピッチ   | 最大径(最少) |
|-------------------|-------|---------|----------------|----------------|---------|---------|---------|
| Ext. 10-24 UNC    | 3A    | 0       | 4.826          | 4.64312        | 4.13766 | 4.07416 | 3.56616 |
| Int.              | 3B    | 0       | 3.9497         | 3.683          | 4.21894 | 4.13766 | 4.826   |
| Ext. 10-28 UNS    | 2A    | 0.0254  | 4.8006         | 4.6355         | 4.21132 | 4.1275  | 3.71856 |
| Int.              | 2B    | 0       | 4.064          | 3.8354         | 4.34594 | 4.23672 | 4.826   |
| Ext. 10-32UNF     | 2A    | 0.02286 | 4.80314        | 4.65074        | 4.28752 | 4.21132 | 3.85826 |
| Int.              | 2B    | 0       | 4.1656         | 3.9624         | 4.40944 | 4.31038 | 4.826   |
| Ext. 10-32UNF     | 3A    | 0       | 4.826          | 4.6736         | 4.31038 | 4.25196 | 3.88112 |
| Int.              | 3B    | 0       | 4.16814        | 3.9624         | 4.38404 | 4.31038 | 4.826   |
| Ext. 10-36 UNS    | 2A    | 0.02286 | 4.80314        | 4.66344        | 4.34594 | 4.26974 | 3.9624  |
| Int.              | 2B    | 0       | 4.2164         | 4.064          | 4.46786 | 4.3688  | 4.826   |
| Ext. 10-40 UNS    | 2A    | 0.02286 | 4.80314        | 4.6736         | 4.39166 | 4.318   | 4.04368 |
| Int.              | 2B    | 0       | 4.2926         | 4.1402         | 4.5085  | 4.41452 | 4.826   |
| Ext. 10-48 UNS    | 2A    | 0.02032 | 4.80568        | 4.69138        | 4.46278 | 4.39674 | 4.17576 |
| Int.              | 2B    | 0       | 4.3688         | 4.2418         | 4.56946 | 4.4831  | 4.826   |
| Ext. 10-56 UNS    | 2A    | 0.01778 | 4.80822        | 4.70408        | 4.51358 | 4.45008 | 4.26974 |
| Int.              | 2B    | 0       | 4.445          | 4.3434         | 4.61264 | 4.53136 | 4.826   |
| Ext. 12-24 UNC    | 2A    | 0.0254  | 5.461          | 5.27812        | 4.77266 | 4.6863  | 4.20116 |
| Int.              | 2B    | 0       | 4.5974         | 4.3434         | 4.90982 | 4.79806 | 5.4864  |
| Ext. 12-24 UNC    | 3A    | 0       | 5.4864         | 5.30352        | 4.79806 | 4.73202 | 4.22656 |
| Int.              | 3B    | 0       | 4.58978        | 4.3434         | 4.88188 | 4.79806 | 5.4864  |
| Ext. 12-28 UNF    | 2A    | 0.0254  | 5.461          | 5.2959         | 4.87172 | 4.79044 | 4.37896 |
| Int.              | 2B    | 0       | 4.7244         | 4.4958         | 5.0038  | 4.89712 | 5.4864  |
| Ext. 12-28 UNF    | 3A    | 0       | 5.4864         | 5.3213         | 4.89712 | 4.83616 | 4.40436 |
| Int.              | 3B    | 0       | 4.71678        | 4.4958         | 4.97586 | 4.89712 | 5.4864  |
| Ext. 12-32 UNEF   | 2A    | 0.02286 | 5.46354        | 5.31114        | 4.94792 | 4.86918 | 4.51866 |
| Int.              | 2B    | 0       | 4.826          | 4.6228         | 5.07492 | 4.97078 | 5.4864  |
| Ext. 12-32 UNEF   | 3A    | 0       | 5.4864         | 5.334          | 4.97078 | 4.90982 | 4.54152 |
| Int.              | 3B    | 0       | 4.8133         | 4.6228         | 5.04952 | 4.97078 | 5.4864  |
| Ext. 12-36 UNS    | 2A    | 0.02286 | 5.46354        | 5.32384        | 5.00634 | 4.93014 | 4.62534 |
| Int.              | 2B    | 0       | 4.8768         | 4.7244         | 5.12826 | 5.0292  | 5.4864  |
| Ext. 12-40 UNS    | 2A    | 0.02286 | 5.46354        | 5.334          | 5.05206 | 4.9784  | 4.6609  |

2 7/8-6 UN to 4-16 UN 呼び ねじサイズ 2 7/8-6 UN to 4-16 UN  
External Thread /Intern:



PROFILE OF UN AND UNF SCREW THREADS

著者にはこの数字の意味が理解できていません。

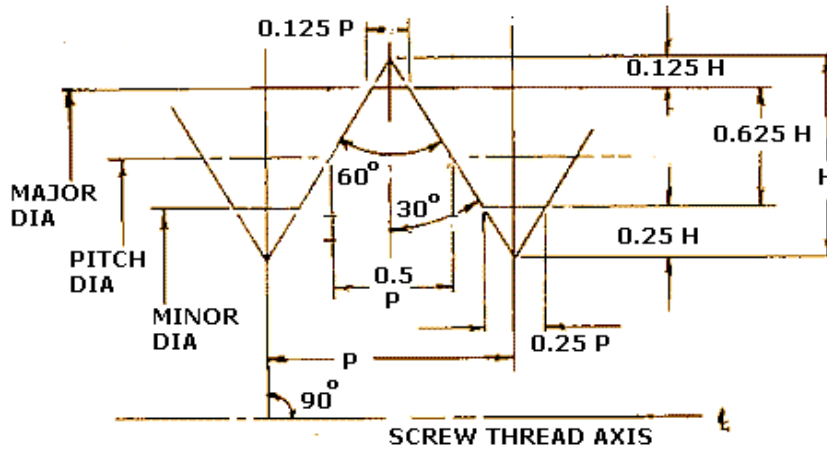
呼び



外径最大値 外径最小値

| Size, TPI, Series | Class | 公差      | 谷径最大値   | 谷径最小値   | 最大ピッチ   | 最少ピッチ   | 最大径(最少) |
|-------------------|-------|---------|---------|---------|---------|---------|---------|
| Int.              | 2B    | 0       | 4.953   | 4.8006  | 5.1689  | 5.07492 | 5.4864  |
| Ext. 12-48 UNS    | 2A    | 0.02032 | 5.46608 | 5.35178 | 5.12318 | 5.05714 | 4.83616 |
| Int.              | 2B    | 0       | 5.0292  | 4.9022  | 5.22986 | 5.1435  | 5.4864  |
| Ext. 12-56 UNS    | 2A    | 0.01778 | 5.46862 | 5.36448 | 5.17398 | 5.11048 | 4.93014 |
| Int.              | 2B    | 0       | 5.1054  | 5.0038  | 5.27304 | 5.19176 | 5.4864  |
| Ext. 1/4-20 UNC   | 1A    | 0.02794 | 6.32206 | 6.01218 | 5.49656 | 5.35432 | 4.81076 |
| Int.              | 1B    | 0       | 5.2578  | 4.9784  | 5.70992 | 5.5245  | 6.35    |
| Ext. 1/4-20 UNC   | 2A    | 0.02794 | 6.32206 | 6.096   | 5.49656 | 5.40258 | 4.81076 |
| Int.              | 2B    | 0       | 5.2578  | 4.9784  | 5.64896 | 5.5245  | 6.35    |
| Ext. 1/4-20 UNC   | 3A    | 0       | 6.35    | 6.14426 | 5.5245  | 5.45338 | 4.8387  |
| Int.              | 3B    | 0       | 5.25018 | 4.9784  | 5.61594 | 5.5245  | 6.35    |
| Ext. 1/4-24 UNS   | 2A    | 0.02794 | 6.32206 | 6.13918 | 5.63372 | 5.53974 | 5.06222 |
| Int.              | 2B    | 0       | 5.461   | 5.207   | 5.78358 | 5.66166 | 6.35    |
| Ext. 1/4-27 UNS   | 2A    | 0.0254  | 6.3246  | 6.15442 | 5.71246 | 5.62356 | 5.20446 |
| Int.              | 2B    | 0       | 5.5626  | 5.334   | 5.85216 | 5.73786 | 6.35    |
| Ext. 1/4-28 UNF   | 1A    | 0.0254  | 6.3246  | 6.07568 | 5.73532 | 5.60832 | 5.24256 |
| Int.              | 1B    | 0       | 5.588   | 5.3594  | 5.92582 | 5.76072 | 6.35    |
| Ext. 1/4-28 UNF   | 2A    | 0.0254  | 6.3246  | 6.1595  | 5.73532 | 5.6515  | 5.24256 |
| Int.              | 2B    | 0       | 5.588   | 5.3594  | 5.86994 | 5.76072 | 6.35    |
| Ext. 1/4-28 UNF   | 3A    | 0       | 6.35    | 6.1849  | 5.76072 | 5.69722 | 5.26796 |
| Int.              | 3B    | 0       | 5.5626  | 5.3594  | 5.842   | 5.76072 | 6.35    |
| Ext. 1/4-32 UNEF  | 2A    | 0.0254  | 6.3246  | 6.1722  | 5.80898 | 5.7277  | 5.37972 |
| Int.              | 2B    | 0       | 5.6896  | 5.4864  | 5.94106 | 5.83438 | 6.35    |
| Ext. 1/4-32 UNEF  | 3A    | 0       | 6.35    | 6.1976  | 5.83438 | 5.77342 | 5.40512 |
| Int.              | 3B    | 0       | 5.66166 | 5.4864  | 5.91312 | 5.83438 | 6.35    |
| Ext. 1/4-36 UNS   | 2A    | 0.02286 | 6.32714 | 6.18744 | 5.86994 | 5.7912  | 5.48894 |
| Int.              | 2B    | 0       | 5.7404  | 5.588   | 5.9944  | 5.8928  | 6.35    |
| Ext. 1/4-40 UNS   | 2A    | 0.02286 | 6.32714 | 6.1976  | 5.91566 | 5.842   | 5.57022 |
| Int.              | 2B    | 0       | 5.8166  | 5.6642  | 6.03504 | 5.93852 | 6.35    |
| Ext. 1/4-48 UNS   | 2A    | 0.02032 | 6.32968 | 6.21538 | 5.98678 | 5.9182  | 5.69722 |
| Int.              | 2B    | 0       | 5.8928  | 5.7658  | 6.09854 | 6.0071  | 6.35    |

2 7/8-6 UN to 4-16 UN 呼び ねじサイズ 2 7/8-6 UN to 4-16 UN  
External Thread /Intern:

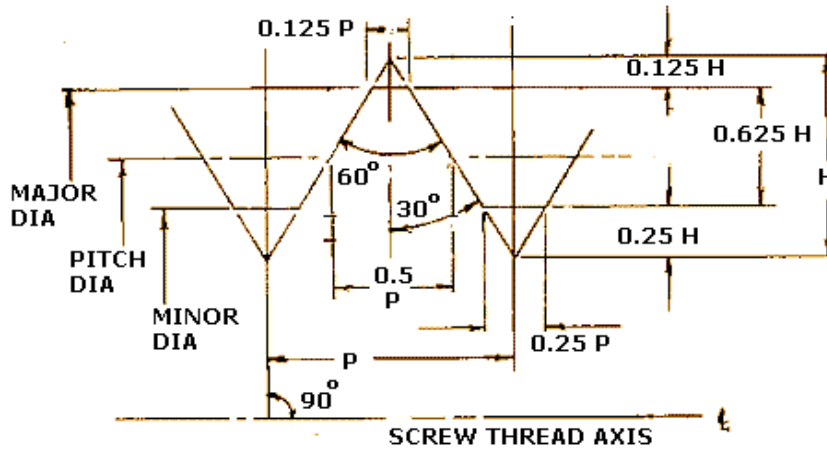


PROFILE OF UN AND UNF SCREW THREADS

著者にはこの数字の意味が理解できていません。

| 呼び                |       | 公差      | 外径最大値   | 外径最小値   |         |         |         |
|-------------------|-------|---------|---------|---------|---------|---------|---------|
| Size, TPI, Series | Class |         | 谷径最大値   | 谷径最小値   | 最大ピッチ   | 最少ピッチ   | 最大径(最少) |
| Ext. 1/4-56 UNS   | 2A    | 0.02032 | 6.32968 | 6.22554 | 6.03504 | 5.969   | 5.7912  |
| Int.              | 2B    | 0       | 5.969   | 5.8674  | 6.13918 | 6.05536 | 6.35    |
| Ext. 5/16-18 UNC  | 1A    | 0.03048 | 7.90702 | 7.57428 | 6.99008 | 6.83514 | 6.22808 |
| Int.              | 1B    | 0       | 6.731   | 6.4008  | 7.22122 | 7.02056 | 7.9375  |
| Ext. 5/16-18 UNC  | 2A    | 0.03048 | 7.90702 | 7.68604 | 6.99008 | 6.88848 | 6.22808 |
| Int.              | 2B    | 0       | 6.731   | 6.4008  | 7.15518 | 7.02056 | 7.9375  |
| Ext. 5/16-18 UNC  | 3A    | 0       | 7.9375  | 7.71652 | 7.02056 | 6.94436 | 6.25856 |
| Int.              | 3B    | 0       | 6.6802  | 6.4008  | 7.11962 | 7.02056 | 7.9375  |
| Ext. 5/16-20 UN   | 2A    | 0.03048 | 7.90702 | 7.70128 | 7.08152 | 6.97992 | 6.39572 |
| Int.              | 2B    | 0       | 6.858   | 6.5532  | 7.24408 | 7.112   | 7.9375  |
| Ext. 5/16-20 UN   | 3A    | 0       | 7.9375  | 7.73176 | 7.112   | 7.0358  | 6.4262  |
| Int.              | 3B    | 0       | 6.8072  | 6.5532  | 7.21106 | 7.112   | 7.9375  |
| Ext. 5/16-24 UNF  | 1A    | 0.02794 | 7.90956 | 7.63524 | 7.22122 | 7.08152 | 6.64972 |
| Int.              | 1B    | 0       | 7.0358  | 6.7818  | 7.4295  | 7.24916 | 7.9375  |
| Ext. 5/16-24 UNF  | 2A    | 0.02794 | 7.90956 | 7.72668 | 7.22122 | 7.12724 | 6.64972 |
| Int.              | 2B    | 0       | 7.0358  | 6.7818  | 7.37108 | 7.24916 | 7.9375  |
| Ext. 5/16-24 UNF  | 3A    | 0       | 7.9375  | 7.75462 | 7.24916 | 7.18058 | 6.67766 |
| Int.              | 3B    | 0       | 6.99516 | 6.7818  | 7.3406  | 7.24916 | 7.9375  |
| Ext. 5/16-27 UNS  | 2A    | 0.0254  | 7.9121  | 7.74192 | 7.29996 | 7.21106 | 6.79196 |
| Int.              | 2B    | 0       | 7.1374  | 6.9088  | 7.43966 | 7.32536 | 7.9375  |
| Ext. 5/16-28 UN   | 2A    | 0.0254  | 7.9121  | 7.747   | 7.32282 | 7.23646 | 6.83006 |
| Int.              | 2B    | 0       | 7.1628  | 6.9596  | 7.45998 | 7.34822 | 7.9375  |
| Ext. 5/16-28 UN   | 3A    | 0       | 7.9375  | 7.7724  | 7.34822 | 7.28218 | 6.85546 |
| Int.              | 3B    | 0       | 7.12978 | 6.9596  | 7.43204 | 7.34822 | 7.9375  |
| Ext. 5/16-32 UNEF | 2A    | 0.0254  | 7.9121  | 7.7597  | 7.39648 | 7.3152  | 6.96722 |
| Int.              | 2B    | 0       | 7.2644  | 7.0866  | 7.52856 | 7.42188 | 7.9375  |
| Ext. 5/16-32 UNEF | 3A    | 0       | 7.9375  | 7.7851  | 7.42188 | 7.36092 | 6.99262 |
| Int.              | 3B    | 0       | 7.23138 | 7.0866  | 7.50062 | 7.42188 | 7.9375  |
| Ext. 5/16-36 UNS  | 2A    | 0.02286 | 7.91464 | 7.77494 | 7.45744 | 7.3787  | 7.0739  |
| Int.              | 2B    | 0       | 7.3406  | 7.1628  | 7.5819  | 7.4803  | 7.9375  |
| Ext. 5/16-40 UNS  | 2A    | 0.02286 | 7.91464 | 7.7851  | 7.50316 | 7.4295  | 7.15772 |

2 7/8-6 UN to 4-16 UN 呼び ねじサイズ 2 7/8-6 UN to 4-16 UN  
External Thread /Intern



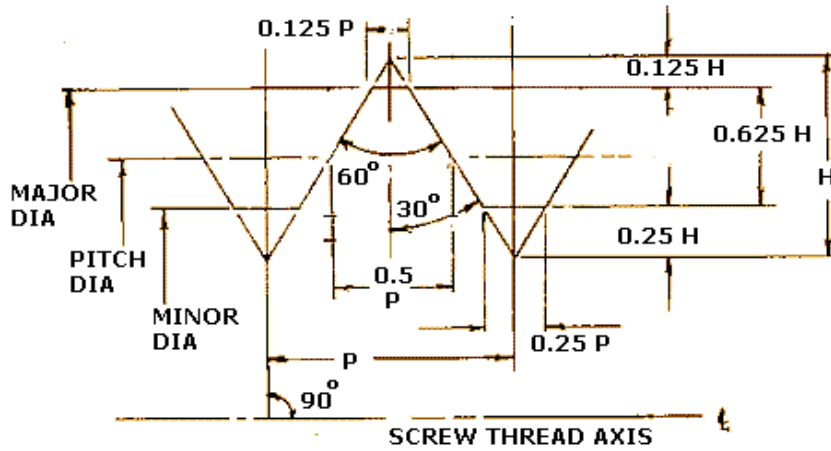
PROFILE OF UN AND UNF SCREW THREADS

著者にはこの数字の意味が理解できていません。

呼び ↓

| Size, TPI, Series | Class | 公差      | 外径最大値<br>谷径最大値 | 外径最小値<br>谷径最小値 | 最大ピッチ   | 最少ピッチ   | 最大径(最少) |
|-------------------|-------|---------|----------------|----------------|---------|---------|---------|
| Int.              | 2B    | 0       | 7.3914         | 7.239          | 7.62254 | 7.52602 | 7.9375  |
| Ext. 5/16-48 UNS  | 2A    | 0.02032 | 7.91718        | 7.80288        | 7.57428 | 7.5057  | 7.28726 |
| Int.              | 2B    | 0       | 7.493          | 7.366          | 7.68604 | 7.5946  | 7.9375  |
| Ext. 3/8-16 UNC   | 1A    | 0.03302 | 9.49198        | 9.1313         | 8.46074 | 8.29564 | 7.59968 |
| Int.              | 1B    | 0       | 8.1534         | 7.7978         | 8.70966 | 8.49376 | 9.525   |
| Ext. 3/8-16 UNC   | 2A    | 0.03302 | 9.49198        | 9.25322        | 8.46074 | 8.34898 | 7.59968 |
| Int.              | 2B    | 0       | 8.1534         | 7.7978         | 8.63854 | 8.49376 | 9.525   |
| Ext. 3/8-16 UNC   | 3A    | 0       | 9.525          | 9.28624        | 8.49376 | 8.40994 | 7.6327  |
| Int.              | 3B    | 0       | 8.08228        | 7.7978         | 8.60298 | 8.49376 | 9.525   |
| Ext. 3/8-18 UNS   | 2A    | 0.03302 | 9.49198        | 9.271          | 8.57504 | 8.46582 | 7.81304 |
| Int.              | 2B    | 0       | 8.3312         | 8.001          | 8.7503  | 8.60806 | 9.525   |
| Ext. 3/8-20 UN    | 2A    | 0.03048 | 9.49452        | 9.28878        | 8.66902 | 8.56488 | 7.98322 |
| Int.              | 2B    | 0       | 8.4328         | 8.1534         | 8.83666 | 8.6995  | 9.525   |
| Ext. 3/8-20 UN    | 3A    | 0       | 9.525          | 9.31926        | 8.6995  | 8.62076 | 8.0137  |
| Int.              | 3B    | 0       | 8.37438        | 8.1534         | 8.8011  | 8.6995  | 9.525   |
| Ext. 3/8-24 UNF   | 1A    | 0.02794 | 9.49706        | 9.22274        | 8.80872 | 8.66394 | 8.23722 |
| Int.              | 1B    | 0       | 8.636          | 8.382          | 9.02462 | 8.83666 | 9.525   |
| Ext. 3/8-24 UNF   | 2A    | 0.02794 | 9.49706        | 9.31418        | 8.80872 | 8.7122  | 8.23722 |
| Int.              | 2B    | 0       | 8.636          | 8.382          | 8.96112 | 8.83666 | 9.525   |
| Ext. 3/8-24 UNF   | 3A    | 0       | 9.525          | 9.34212        | 8.83666 | 8.763   | 8.26516 |
| Int.              | 3B    | 0       | 8.56488        | 8.382          | 8.93064 | 8.83666 | 9.525   |
| Ext. 3/8-27 UNS   | 2A    | 0.02794 | 9.49706        | 9.32688        | 8.88492 | 8.79348 | 8.37692 |
| Int.              | 2B    | 0       | 8.7376         | 8.509          | 9.03224 | 8.91286 | 9.525   |
| Ext. 3/8-28 UN    | 2A    | 0.02794 | 9.49706        | 9.33196        | 8.90778 | 8.81634 | 8.41502 |
| Int.              | 2B    | 0       | 8.763          | 8.5344         | 9.05256 | 8.93572 | 9.525   |
| Ext. 3/8-28 UN    | 3A    | 0       | 9.525          | 9.3599         | 8.93572 | 8.86714 | 8.44296 |
| Int.              | 3B    | 0       | 8.70204        | 8.5344         | 9.02462 | 8.93572 | 9.525   |
| Ext. 3/8-32 UNEF  | 2A    | 0.0254  | 9.4996         | 9.3472         | 8.98398 | 8.89762 | 8.55472 |
| Int.              | 2B    | 0       | 8.8646         | 8.6614         | 9.12114 | 9.00938 | 9.525   |
| Ext. 3/8-32 UNEF  | 3A    | 0       | 9.525          | 9.3726         | 9.00938 | 8.94588 | 8.58012 |
| Int.              | 3B    | 0       | 8.81126        | 8.6614         | 9.0932  | 9.00938 | 9.525   |

2 7/8-6 UN to 4-16 UN 呼び ねじサイズ 2 7/8-6 UN to 4-16 UN  
External Thread /Intern:

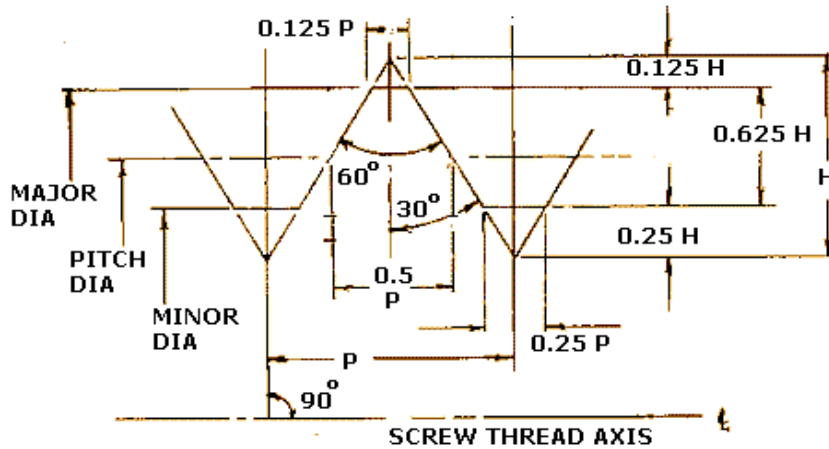


PROFILE OF UN AND UNF SCREW THREADS

著者にはこの数字の意味が理解できていません。

| 呼び                | Class | 公差      | 外径最大値    | 外径最小値    | 谷径最大値    | 谷径最小値    | 最大ピッチ    | 最少ピッチ    | 最大径(最少)  |
|-------------------|-------|---------|----------|----------|----------|----------|----------|----------|----------|
| Ext. 3/8-36 UNS   | 2A    | 0.0254  | 9.4996   | 9.3599   | 9.0424   | 8.96112  | 9.0424   | 8.96112  | 8.65886  |
| Int.              | 2B    | 0       | 8.9408   | 8.763    | 9.17448  | 9.0678   | 9.17448  | 9.0678   | 9.525    |
| Ext. 3/8-40 UNS   | 2A    | 0.02286 | 9.50214  | 9.3726   | 9.09066  | 9.01192  | 9.09066  | 9.01192  | 8.74522  |
| Int.              | 2B    | 0       | 8.9916   | 8.8392   | 9.21512  | 9.11352  | 9.21512  | 9.11352  | 9.525    |
| Ext. 0.390.27 UNS | 2A    | 0.02794 | 9.87806  | 9.70788  | 9.26592  | 9.17448  | 9.26592  | 9.17448  | 8.75792  |
| Int.              | 2B    | 0       | 9.1186   | 8.89     | 9.41324  | 9.29386  | 9.41324  | 9.29386  | 9.906    |
| Ext. 7/16-14 UNC  | 1A    | 0.03556 | 11.07694 | 10.68324 | 9.89838  | 9.71804  | 9.89838  | 9.71804  | 8.91794  |
| Int.              | 1B    | 0       | 9.5504   | 9.144    | 10.16762 | 9.93394  | 10.16762 | 9.93394  | 11.1125  |
| Ext. 7/16-14 UNC  | 2A    | 0.03556 | 11.07694 | 10.81532 | 9.89838  | 9.779    | 9.89838  | 9.779    | 8.91794  |
| Int.              | 2B    | 0       | 9.5504   | 9.144    | 10.08888 | 9.93394  | 10.08888 | 9.93394  | 11.1125  |
| Ext. 7/16-14 UNC  | 3A    | 0       | 11.1125  | 10.85088 | 9.93394  | 9.84504  | 9.93394  | 9.84504  | 8.9535   |
| Int.              | 3B    | 0       | 9.44118  | 9.144    | 10.05078 | 9.93394  | 10.05078 | 9.93394  | 11.1125  |
| Ext. 7/16-16 UN   | 2A    | 0.03556 | 11.07694 | 10.83818 | 10.0457  | 9.92886  | 10.0457  | 9.92886  | 9.18464  |
| Int.              | 2B    | 0       | 9.7536   | 9.398    | 10.23112 | 10.08126 | 10.23112 | 10.08126 | 11.1125  |
| Ext. 7/16-16 UN   | 3A    | 0       | 11.1125  | 10.87374 | 10.08126 | 9.9949   | 10.08126 | 9.9949   | 9.2202   |
| Int.              | 3B    | 0       | 9.652    | 9.398    | 10.19556 | 10.08126 | 10.19556 | 10.08126 | 11.1125  |
| Ext. 7/16-18 UNS  | 2A    | 0.03302 | 11.07948 | 10.8585  | 10.16254 | 10.05332 | 10.16254 | 10.05332 | 9.40054  |
| Int.              | 2B    | 0       | 9.906    | 9.5758   | 10.3378  | 10.19556 | 10.3378  | 10.19556 | 11.1125  |
| Ext. 7/16-20 UNF  | 1A    | 0.03302 | 11.07948 | 10.7696  | 10.25398 | 10.0965  | 10.25398 | 10.0965  | 9.56818  |
| Int.              | 1B    | 0       | 10.033   | 9.7282   | 10.49274 | 10.287   | 10.49274 | 10.287   | 11.1125  |
| Ext. 7/16-20 UNF  | 2A    | 0.03302 | 11.07948 | 10.87374 | 10.25398 | 10.1473  | 10.25398 | 10.1473  | 9.56818  |
| Int.              | 2B    | 0       | 10.033   | 9.7282   | 10.42416 | 10.287   | 10.42416 | 10.287   | 11.1125  |
| Ext. 7/16-20 UNF  | 3A    | 0       | 11.1125  | 10.90676 | 10.287   | 10.20826 | 10.287   | 10.20826 | 9.6012   |
| Int.              | 3B    | 0       | 9.94664  | 9.7282   | 10.39114 | 10.287   | 10.39114 | 10.287   | 11.1125  |
| Ext. 7/16-24 UNS  | 2A    | 0.02794 | 11.08456 | 10.90168 | 10.39622 | 10.2997  | 10.39622 | 10.2997  | 9.82472  |
| Int.              | 2B    | 0       | 10.2108  | 9.9568   | 10.54862 | 10.42416 | 10.54862 | 10.42416 | 11.1125  |
| Ext. 7/16-27 UNS  | 2A    | 0.02794 | 11.08456 | 10.91438 | 10.47242 | 10.38098 | 10.47242 | 10.38098 | 9.96442  |
| Int.              | 2B    | 0       | 10.3124  | 10.0838  | 10.61974 | 10.50036 | 10.61974 | 10.50036 | 11.1125  |
| Ext. 7/16-28 UNEF | 2A    | 0.02794 | 11.08456 | 10.91946 | 10.49528 | 10.40384 | 10.49528 | 10.40384 | 9.74852  |
| Int.              | 2B    | 0       | 10.3378  | 10.1346  | 10.64006 | 10.52322 | 10.64006 | 10.52322 | 11.1125  |
| Ext. 7/16-28 UNEF | 3A    | 0       | 11.1125  | 10.9474  | 10.52322 | 10.45464 | 10.52322 | 10.45464 | 10.03046 |

2 7/8-6 UN to 4-16 UN 呼び ねじサイズ 2 7/8-6 UN to 4-16 UN  
External Thread /Intern:



PROFILE OF UN AND UNF SCREW THREADS

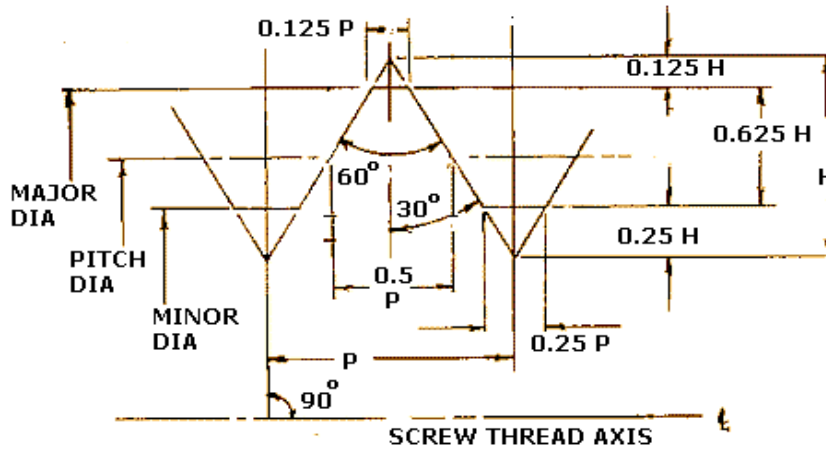
著者にはこの数字の意味が理解できていません。

呼び ↓

| Size, TPI, Series | Class | 公差      | 外径最大値    | 外径最小値    | 谷径最大値    | 谷径最小値    | 最大ピッチ    | 最少ピッチ | 最大径(最少) |
|-------------------|-------|---------|----------|----------|----------|----------|----------|-------|---------|
| Int.              | 3B    | 0       | 10.28954 | 10.1346  | 10.61212 | 10.52322 | 11.1125  |       |         |
| Ext. 7/16-32 UN   | 2A    | 0.0254  | 11.0871  | 10.9347  | 10.57148 | 10.48512 | 10.14222 |       |         |
| Int.              | 2B    | 0       | 10.4394  | 10.2616  | 10.70864 | 10.59688 | 11.1125  |       |         |
| Ext. 7/16-32 UN   | 3A    | 0       | 11.1125  | 10.9601  | 10.59688 | 10.53338 | 10.16762 |       |         |
| Int.              | 3B    | 0       | 10.39876 | 10.2616  | 10.6807  | 10.59688 | 11.1125  |       |         |
| Ext. 1/2-12 UNS   | 2A    | 0.04064 | 12.65936 | 12.3698  | 11.28522 | 11.14806 | 10.13968 |       |         |
| Int.              | 2B    | 0       | 10.8712  | 10.414   | 11.50366 | 11.32586 | 12.7     |       |         |
| Ext. 1/2-12 UNS   | 3A    | 0       | 12.7     | 12.41044 | 11.32586 | 11.22426 | 10.18032 |       |         |
| Int.              | 3B    | 0       | 10.72642 | 10.414   | 11.45794 | 11.32586 | 12.7     |       |         |
| Ext. 1/2-13 UNC   | 1A    | 0.0381  | 12.6619  | 12.24788 | 11.3919  | 11.20394 | 10.33526 |       |         |
| Int.              | 1B    | 0       | 11.0236  | 10.5918  | 11.67638 | 11.43    | 12.7     |       |         |
| Ext. 1/2-13 UNC   | 2A    | 0.0381  | 12.6619  | 12.38504 | 11.3919  | 11.2649  | 10.33526 |       |         |
| Int.              | 2B    | 0       | 11.0236  | 10.5918  | 11.5951  | 11.43    | 12.7     |       |         |
| Ext. 1/2-13 UNC   | 3A    | 0       | 12.7     | 12.42314 | 11.43    | 11.33602 | 10.37336 |       |         |
| Int.              | 3B    | 0       | 10.88136 | 10.5918  | 11.55192 | 11.43    | 12.7     |       |         |
| Ext. 1/2-14 UNS   | 2A    | 0.0381  | 12.6619  | 12.40028 | 11.48334 | 11.35634 | 10.5029  |       |         |
| Int.              | 2B    | 0       | 11.1252  | 10.7442  | 11.68654 | 11.52144 | 12.7     |       |         |
| Ext. 1/2-16 UN    | 2A    | 0       | 12.66444 | 12.42568 | 11.6332  | 11.51382 | 10.77214 |       |         |
| Int.              | 2B    | 0       | 11.3284  | 10.9728  | 11.8237  | 11.66876 | 12.7     |       |         |
| Ext. 1/2-16 UN    | 3A    | 0       | 12.7     | 12.46124 | 11.66876 | 11.57986 | 10.8077  |       |         |
| Int.              | 3B    | 0       | 11.22426 | 10.9728  | 11.7856  | 11.66876 | 12.7     |       |         |
| Ext. 1/2-18 UNS   | 2A    | 0.03302 | 12.66698 | 12.446   | 11.75004 | 11.63828 | 10.98804 |       |         |
| Int.              | 2B    | 0       | 11.5062  | 11.176   | 11.93038 | 11.78306 | 12.7     |       |         |
| Ext. 1/2-20 UNF   | 1A    | 0.03302 | 12.66698 | 12.3571  | 11.84148 | 11.67892 | 11.15568 |       |         |
| Int.              | 1B    | 0       | 11.6078  | 11.3284  | 12.08786 | 11.8745  | 12.7     |       |         |
| Ext. 1/2-20 UNF   | 2A    | 0.03302 | 12.66698 | 12.46124 | 11.84148 | 11.73226 | 11.15568 |       |         |
| Int.              | 2B    | 0       | 11.6078  | 11.3284  | 12.01674 | 11.8745  | 12.7     |       |         |
| Ext. 1/2-20 UNF   | 3A    | 0       | 12.7     | 12.49426 | 11.8745  | 11.79322 | 11.1887  |       |         |
| Int.              | 3B    | 0       | 11.52398 | 11.3284  | 11.98118 | 11.8745  | 12.7     |       |         |
| Ext. 1/2-24 UNS   | 2A    | 0.03048 | 12.66952 | 12.48664 | 11.98118 | 11.88212 | 11.40968 |       |         |
| Int.              | 2B    | 0       | 11.811   | 11.557   | 12.1412  | 12.01166 | 12.7     |       |         |



2 7/8-6 UN to 4-16 UN 呼び ねじサイズ 2 7/8-6 UN to 4-16 UN  
External Thread /Intern:



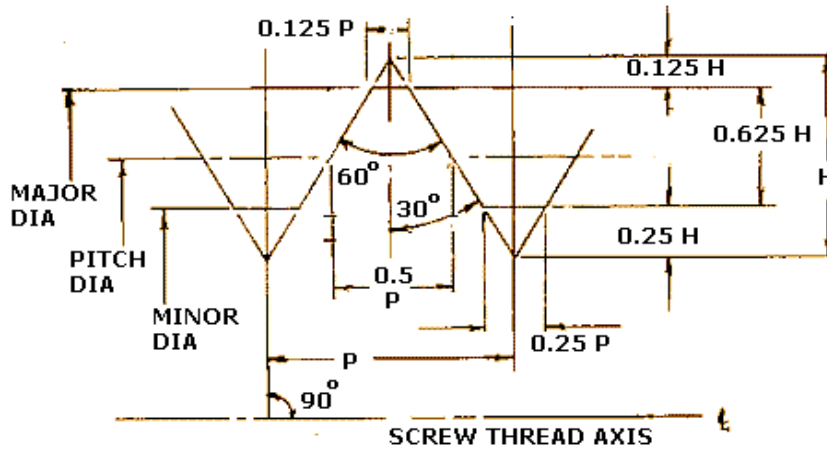
PROFILE OF UN AND UNF SCREW THREADS

著者にはこの数字の意味が理解できていません。

↓

| 呼び               | Class | 公差      | 外径最大値    | 外径最小値    | 谷径最大値    | 谷径最小値    | 最大ピッチ    | 最少ピッチ | 最大径(最少) |
|------------------|-------|---------|----------|----------|----------|----------|----------|-------|---------|
| Ext. 1/2-27 UNS  | 2A    | 0.02794 | 12.67206 | 12.50188 | 12.05992 | 11.96594 | 11.55192 |       |         |
| Int.             | 2B    | 0       | 11.9126  | 11.684   | 12.20978 | 12.08786 | 12.7     |       |         |
| Ext. 1/2-28 UNEF | 2A    | 0.02794 | 12.67206 | 12.50696 | 12.08278 | 11.9888  | 11.59002 |       |         |
| Int.             | 2B    | 0       | 11.938   | 11.7094  | 12.23264 | 12.11072 | 12.7     |       |         |
| Ext. 1/2-28 UNEF | 3A    | 0       | 12.7     | 12.5349  | 12.11072 | 12.0396  | 11.61796 |       |         |
| Int.             | 3B    | 0       | 11.87704 | 11.7094  | 12.20216 | 12.11072 | 12.7     |       |         |
| Ext. 1/2-32 UN   | 2A    | 0.0254  | 12.6746  | 12.5222  | 12.15898 | 12.07008 | 11.72972 |       |         |
| Int.             | 2B    | 0       | 12.0396  | 11.8364  | 12.29868 | 12.18438 | 12.7     |       |         |
| Ext. 1/2-32 UN   | 3A    | 0       | 12.7     | 12.5476  | 12.18438 | 12.11834 | 11.75512 |       |         |
| Int.             | 3B    | 0       | 11.98626 | 11.8364  | 12.27074 | 12.18438 | 12.7     |       |         |
| Ext. 9/16-12 UNC | 1A    | 0.04064 | 14.24686 | 13.80998 | 12.87272 | 12.6746  | 11.72718 |       |         |
| Int.             | 1B    | 0       | 12.446   | 11.9888  | 13.17244 | 12.91336 | 14.2875  |       |         |
| Ext. 9/16-12 UNC | 2A    | 0.04064 | 14.24686 | 13.9573  | 12.87272 | 12.74064 | 11.72718 |       |         |
| Int.             | 2B    | 0       | 12.446   | 11.9888  | 13.08608 | 12.91336 | 14.2875  |       |         |
| Ext. 9/16-12 UNC | 3A    | 0       | 14.2875  | 13.99794 | 12.91336 | 12.8143  | 11.76782 |       |         |
| Int.             | 3B    | 0       | 12.30122 | 11.9888  | 13.0429  | 12.91336 | 14.2875  |       |         |
| Ext. 9/16-14 UNS | 2A    | 0.0381  | 14.2494  | 13.98778 | 13.07084 | 12.94384 | 12.0904  |       |         |
| Int.             | 2B    | 0       | 12.7254  | 12.319   | 13.27404 | 13.10894 | 14.2875  |       |         |
| Ext. 9/16-16 UN  | 2A    | 0.03556 | 14.25194 | 14.01318 | 13.2207  | 13.10132 | 12.35964 |       |         |
| Int.             | 2B    | 0       | 12.9286  | 12.573   | 13.4112  | 13.25626 | 14.2875  |       |         |
| Ext. 9/16-16 UN  | 3A    | 0       | 14.2875  | 14.04874 | 13.25626 | 13.16736 | 12.3952  |       |         |
| Int.             | 3B    | 0       | 12.8016  | 12.573   | 13.3731  | 13.25626 | 14.2875  |       |         |
| Ext. 9/16-18 UNF | 1A    | 0.03556 | 14.25194 | 13.9192  | 13.335   | 13.16228 | 12.573   |       |         |
| Int.             | 1B    | 0       | 13.081   | 12.7508  | 13.59662 | 13.37056 | 14.2875  |       |         |
| Ext. 9/16-18 UNF | 2A    | 0.03556 | 14.25194 | 14.03096 | 13.335   | 13.2207  | 12.573   |       |         |
| Int.             | 2B    | 0       | 13.081   | 12.7508  | 13.52042 | 13.37056 | 14.2875  |       |         |
| Ext. 9/16-18 UNF | 3A    | 0       | 14.2875  | 14.06652 | 13.37056 | 13.2842  | 12.60856 |       |         |
| Int.             | 3B    | 0       | 12.96924 | 12.7508  | 13.48232 | 13.37056 | 14.2875  |       |         |
| Ext. 9/16-20 UN  | 2A    | 0.03302 | 14.25448 | 14.04874 | 13.42898 | 13.3223  | 12.74318 |       |         |
| Int.             | 2B    | 0       | 13.208   | 12.9032  | 13.6017  | 13.462   | 14.2875  |       |         |
| Ext. 9/16-20 UN  | 3A    | 0       | 14.2875  | 14.08176 | 13.462   | 13.38072 | 12.7762  |       |         |

2 7/8-6 UN to 4-16 UN 呼び ねじサイズ 2 7/8-6 UN to 4-16 UN  
External Thread /Intern:



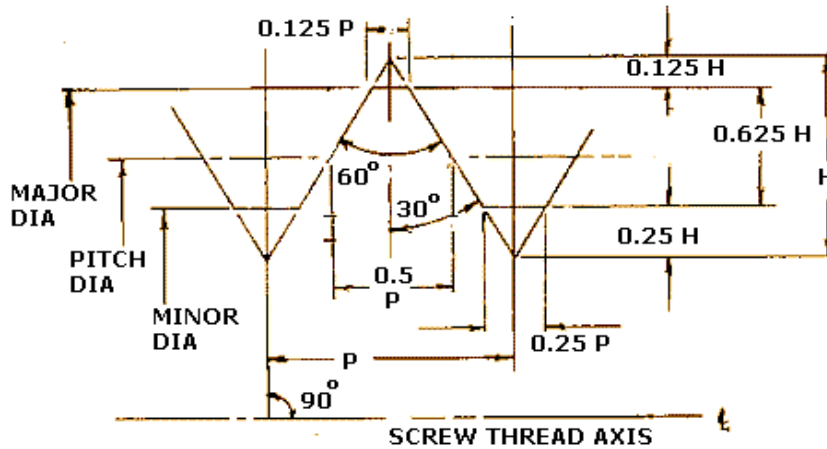
PROFILE OF UN AND UNF SCREW THREADS

著者にはこの数字の意味が理解できていません。

呼び ↓

| Size, TPI, Series | Class | 公差      | 外径最大値    | 外径最小値    | 谷径最大値    | 谷径最小値    | 最大ピッチ    | 最少ピッチ | 最大径(最少) |
|-------------------|-------|---------|----------|----------|----------|----------|----------|-------|---------|
| Int.              | 3B    | 0       | 13.11148 | 12.9032  | 13.56614 | 13.462   | 14.2875  |       |         |
| Ext. 9/16-24 UNEF | 2A    | 0.03048 | 14.25702 | 14.07414 | 13.56868 | 13.46962 | 12.99718 |       |         |
| Int.              | 2B    | 0       | 13.3858  | 13.1318  | 13.7287  | 13.59916 | 14.2875  |       |         |
| Ext. 9/16-24 UNEF | 3A    | 0       | 14.2875  | 14.10462 | 13.59916 | 13.5255  | 13.02766 |       |         |
| Int.              | 3B    | 0       | 13.31976 | 13.1318  | 13.69568 | 13.59916 | 14.2875  |       |         |
| Ext. 9/16-27 UNS  | 2A    | 0.02794 | 14.25956 | 14.08938 | 13.64742 | 13.55344 | 13.13942 |       |         |
| Int.              | 2B    | 0       | 13.4874  | 13.2588  | 13.79728 | 13.67536 | 14.2875  |       |         |
| Ext. 9/16-28 UN   | 2A    | 0.02794 | 14.25956 | 14.09446 | 13.67028 | 13.5763  | 13.17752 |       |         |
| Int.              | 2B    | 0       | 13.5128  | 13.3096  | 13.82014 | 13.69822 | 14.2875  |       |         |
| Ext. 9/16-28 UN   | 3A    | 0       | 14.2875  | 14.1224  | 13.69822 | 13.6271  | 13.20546 |       |         |
| Int.              | 3B    | 0       | 13.46454 | 13.3096  | 13.78966 | 13.69822 | 14.2875  |       |         |
| Ext. 9/16-32 UN   | 2A    | 0.0254  | 14.2621  | 14.1097  | 13.74648 | 13.65758 | 13.31722 |       |         |
| Int.              | 2B    | 0       | 13.6144  | 13.4366  | 13.88618 | 13.77188 | 14.2875  |       |         |
| Ext. 9/16-32 UN   | 3A    | 0       | 14.2875  | 14.1351  | 13.77188 | 13.70584 | 13.34262 |       |         |
| Int.              | 3B    | 0       | 13.57376 | 13.4366  | 13.85824 | 13.77188 | 14.2875  |       |         |
| Ext. 5/8-11 UNC   | 1A    | 0.04064 | 15.83436 | 15.37208 | 14.33576 | 14.12494 | 13.08608 |       |         |
| Int.              | 1B    | 0       | 13.8684  | 13.3858  | 14.64818 | 14.3764  | 15.875   |       |         |
| Ext. 5/8-11 UNC   | 2A    | 0.04064 | 15.83436 | 15.52702 | 14.33576 | 14.19606 | 13.08608 |       |         |
| Int.              | 2B    | 0       | 13.8684  | 13.3858  | 14.55928 | 14.3764  | 15.875   |       |         |
| Ext. 5/8-11 UNC   | 3A    | 0       | 15.875   | 15.56766 | 14.3764  | 14.27226 | 13.12672 |       |         |
| Int.              | 3B    | 0       | 13.69314 | 13.3858  | 14.51356 | 14.3764  | 15.875   |       |         |
| Ext. 5/8-12 UN    | 2A    | 0.04064 | 15.83436 | 15.5448  | 14.46022 | 14.32306 | 13.31468 |       |         |
| Int.              | 2B    | 0       | 14.0462  | 13.589   | 14.6812  | 14.50086 | 15.875   |       |         |
| Ext. 5/8-12 UN    | 3A    | 0       | 15.875   | 15.58544 | 14.50086 | 14.39672 | 13.35532 |       |         |
| Int.              | 3B    | 0       | 13.87602 | 13.589   | 14.63548 | 14.50086 | 15.875   |       |         |
| Ext. 5/8-14 UNS   | 2A    | 0.0381  | 15.8369  | 15.57528 | 14.65834 | 14.5288  | 13.6779  |       |         |
| Int.              | 2B    | 0       | 14.3256  | 13.9192  | 14.86408 | 14.69644 | 15.875   |       |         |
| Ext. 5/8-16 UN    | 2A    | 0.03556 | 15.83944 | 15.60068 | 14.8082  | 14.68628 | 13.94714 |       |         |
| Int.              | 2B    | 0       | 14.5034  | 14.1478  | 15.00124 | 14.84376 | 15.875   |       |         |
| Ext. 5/8-16 UN    | 3A    | 0       | 15.875   | 15.63624 | 14.84376 | 14.75232 | 13.9827  |       |         |
| Int.              | 3B    | 0       | 14.38148 | 14.1478  | 14.9606  | 14.84376 | 15.875   |       |         |

2 7/8-6 UN to 4-16 UN 呼び ねじサイズ 2 7/8-6 UN to 4-16 UN  
External Thread /Intern:



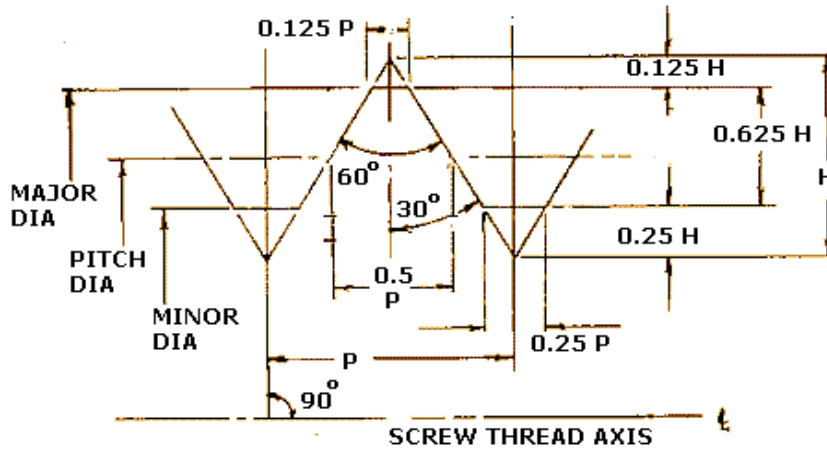
PROFILE OF UN AND UNF SCREW THREADS

著者にはこの数字の意味が理解できていません。

呼び ↓

| Size, TPI, Series | Class | 公差      | 外径最大値    | 外径最小値    | 谷径最大値    | 谷径最小値    | 最大ピッチ    | 最少ピッチ | 最大径(最少) |
|-------------------|-------|---------|----------|----------|----------|----------|----------|-------|---------|
| Ext. 5/8-18 UNF   | 1A    | 0.03556 | 15.83944 | 15.5067  | 14.9225  | 14.7447  | 14.1605  |       |         |
| Int.              | 1B    | 0       | 14.6812  | 14.351   | 15.1892  | 14.95806 | 15.875   |       |         |
| Ext. 5/8-18 UNF   | 2A    | 0.03556 | 15.83944 | 15.61846 | 14.9225  | 14.80312 | 14.1605  |       |         |
| Int.              | 2B    | 0       | 14.6812  | 14.351   | 15.11046 | 14.95806 | 15.875   |       |         |
| Ext. 5/8-18 UNF   | 3A    | 0       | 15.875   | 15.65402 | 14.95806 | 14.86916 | 14.19606 |       |         |
| Int.              | 3B    | 0       | 14.5542  | 14.351   | 15.07236 | 14.95806 | 15.875   |       |         |
| Ext. 5/8-20 UN    | 2A    | 0.03302 | 15.84198 | 15.63624 | 15.01648 | 14.90726 | 14.33068 |       |         |
| Int.              | 2B    | 0       | 14.7828  | 14.5034  | 15.19174 | 15.0495  | 15.875   |       |         |
| Ext. 5/8-20 UN    | 3A    | 0       | 15.875   | 15.66926 | 15.0495  | 14.96822 | 14.3637  |       |         |
| Int.              | 3B    | 0       | 14.69898 | 14.5034  | 15.15618 | 15.0495  | 15.875   |       |         |
| Ext. 5/8-24 UNEF  | 2A    | 0.03048 | 15.84452 | 15.66164 | 15.15618 | 15.05458 | 14.58468 |       |         |
| Int.              | 2B    | 0       | 14.986   | 14.732   | 15.31874 | 15.18666 | 15.875   |       |         |
| Ext. 5/8-24 UNEF  | 3A    | 0       | 15.875   | 15.69212 | 15.18666 | 15.11046 | 14.61516 |       |         |
| Int.              | 3B    | 0       | 14.90726 | 14.732   | 15.28572 | 15.18666 | 15.875   |       |         |
| Ext. 5/8-27 UNS   | 2A    | 0.02794 | 15.84706 | 15.67688 | 15.23492 | 15.1384  | 14.72692 |       |         |
| Int.              | 2B    | 0       | 15.0876  | 14.859   | 15.38986 | 15.26286 | 15.875   |       |         |
| Ext. 5/8-28 UN    | 2A    | 0.02794 | 15.84706 | 15.68196 | 15.25778 | 15.16126 | 14.76502 |       |         |
| Int.              | 2B    | 0       | 15.113   | 14.8844  | 15.41018 | 15.28572 | 15.875   |       |         |
| Ext. 5/8-28 UN    | 3A    | 0       | 15.875   | 15.7099  | 15.28572 | 15.2146  | 14.79296 |       |         |
| Int.              | 3B    | 0       | 15.05204 | 14.8844  | 15.3797  | 15.28572 | 15.875   |       |         |
| Ext. 5/8-32 UN    | 2A    | 0.02794 | 15.84706 | 15.69466 | 15.33144 | 15.24    | 14.90218 |       |         |
| Int.              | 2B    | 0       | 15.2146  | 15.0114  | 15.47622 | 15.35938 | 15.875   |       |         |
| Ext. 5/8-32 UN    | 3A    | 0       | 15.875   | 15.7226  | 15.35938 | 15.2908  | 14.93012 |       |         |
| Int.              | 3B    | 0       | 15.16126 | 15.0114  | 15.44828 | 15.35938 | 15.875   |       |         |
| Ext. 11/16-12 UN  | 2A    | 0.04064 | 17.42186 | 17.1323  | 16.04772 | 15.91056 | 14.90218 |       |         |
| Int.              | 2B    | 0       | 15.621   | 15.1638  | 16.2687  | 16.08836 | 17.4625  |       |         |
| Ext. 11/16-12 UN  | 3A    | 0       | 17.4625  | 17.17294 | 16.08836 | 15.98422 | 14.94282 |       |         |
| Int.              | 3B    | 0       | 15.4559  | 15.1638  | 16.22298 | 16.08836 | 17.4625  |       |         |
| Ext. 11/16-16 UN  | 2A    | 0.03556 | 17.42694 | 17.18818 | 16.3957  | 16.27378 | 15.53464 |       |         |
| Int.              | 2B    | 0       | 16.1036  | 15.748   | 16.58874 | 16.43126 | 17.4625  |       |         |
| Ext. 11/16-16 UN  | 3A    | 0       | 17.4625  | 17.22374 | 16.43126 | 16.33982 | 15.5702  |       |         |

2 7/8-6 UN to 4-16 UN 呼び ねじサイズ 2 7/8-6 UN to 4-16 UN  
External Thread /Intern:



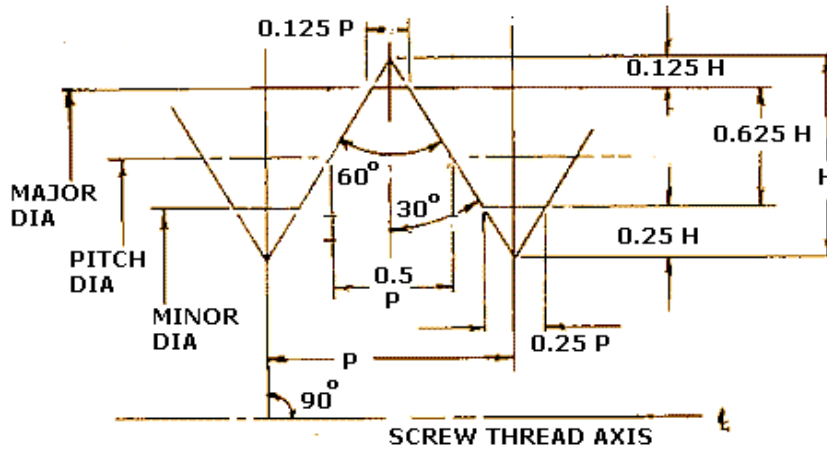
PROFILE OF UN AND UNF SCREW THREADS

著者にはこの数字の意味が理解できていません。

呼び ↓

| Size, TPI, Series | Class | 公差      | 外径最大値    | 外径最小値    | 谷径最大値    | 谷径最小値    | 最大ピッチ    | 最少ピッチ | 最大径(最少) |
|-------------------|-------|---------|----------|----------|----------|----------|----------|-------|---------|
| Int.              | 3B    | 0       | 15.96136 | 15.748   | 16.5481  | 16.43126 | 17.4625  |       |         |
| Ext. 11/16-20 UN  | 2A    | 0.03302 | 17.42948 | 17.22374 | 16.60398 | 16.49476 | 15.91818 |       |         |
| Int.              | 2B    | 0       | 16.383   | 16.0782  | 16.77924 | 16.637   | 17.4625  |       |         |
| Ext. 11/16-20 UN  | 3A    | 0       | 17.4625  | 17.25676 | 16.637   | 16.55572 | 15.9512  |       |         |
| Int.              | 3B    | 0       | 16.28648 | 16.0782  | 16.74368 | 16.637   | 17.4625  |       |         |
| Ext. 11/16-24 UNE | 2A    | 0.03048 | 17.43202 | 17.24914 | 16.74368 | 16.64208 | 16.17218 |       |         |
| Int.              | 2B    | 0       | 16.5608  | 16.3068  | 16.90624 | 16.77416 | 17.4625  |       |         |
| Ext. 11/16-24 UNE | 3A    | 0       | 17.4625  | 17.27962 | 16.77416 | 16.69796 | 16.20266 |       |         |
| Int.              | 3B    | 0       | 16.49476 | 16.3068  | 16.87322 | 16.77416 | 17.4625  |       |         |
| Ext. 11/16-28 UN  | 2A    | 0.02794 | 17.43456 | 17.26946 | 16.84528 | 16.74876 | 16.35252 |       |         |
| Int.              | 2B    | 0       | 16.6878  | 16.4846  | 16.99768 | 16.87322 | 17.4625  |       |         |
| Ext. 11/16-28 UN  | 3A    | 0       | 17.4625  | 17.2974  | 16.87322 | 16.8021  | 16.38046 |       |         |
| Int.              | 3B    | 0       | 16.63954 | 16.4846  | 16.9672  | 16.87322 | 17.4625  |       |         |
| Ext. 11/16-32 UN  | 2A    | 0.02794 | 17.43456 | 17.28216 | 16.91894 | 16.8275  | 16.48968 |       |         |
| Int.              | 2B    | 0       | 16.7894  | 16.6116  | 17.06372 | 16.94688 | 17.4625  |       |         |
| Ext. 11/16-32 UN  | 3A    | 0       | 17.4625  | 17.3101  | 16.94688 | 16.8783  | 16.51762 |       |         |
| Int.              | 3B    | 0       | 16.74876 | 16.6116  | 17.03578 | 16.94688 | 17.4625  |       |         |
| Ext. 3/4-10 UNC   | 1A    | 0.04572 | 19.00428 | 18.51152 | 17.35328 | 17.12976 | 15.97914 |       |         |
| Int.              | 1B    | 0       | 16.8402  | 16.3068  | 17.6911  | 17.399   | 19.05    |       |         |
| Ext. 3/4-10 UNC   | 2A    | 0.04572 | 19.00428 | 18.67662 | 17.35328 | 17.20342 | 15.97914 |       |         |
| Int.              | 2B    | 0       | 16.8402  | 16.3068  | 17.59458 | 17.399   | 19.05    |       |         |
| Ext. 3/4-10 UNC   | 3A    | 0       | 19.05    | 18.72234 | 17.399   | 17.28724 | 16.02486 |       |         |
| Int.              | 3B    | 0       | 16.6243  | 16.3068  | 17.54378 | 17.399   | 19.05    |       |         |
| Ext. 3/4-12 UN    | 2A    | 0.04318 | 19.00682 | 18.71726 | 17.63268 | 17.49298 | 16.48714 |       |         |
| Int.              | 2B    | 0       | 17.2212  | 16.764   | 17.85874 | 17.67586 | 19.05    |       |         |
| Ext. 3/4-12 UN    | 3A    | 0       | 19.05    | 18.76044 | 17.67586 | 17.57172 | 16.53032 |       |         |
| Int.              | 3B    | 0       | 17.03578 | 16.764   | 18.04162 | 17.67586 | 19.05    |       |         |
| Ext. 3/4-14 UNS   | 2A    | 0.0381  | 19.0119  | 18.75028 | 17.83334 | 17.7038  | 16.8529  |       |         |
| Int.              | 2B    | 0       | 17.4752  | 17.0942  | 18.04162 | 17.87144 | 19.05    |       |         |
| Ext. 3/4-16 UNF   | 1A    | 0.0381  | 19.0119  | 18.65122 | 17.98066 | 17.79016 | 17.1196  |       |         |
| Int.              | 1B    | 0       | 17.6784  | 17.3228  | 18.26768 | 18.01876 | 19.05    |       |         |

2 7/8-6 UN to 4-16 UN 呼び ねじサイズ 2 7/8-6 UN to 4-16 UN  
 External Thread /Intern:



PROFILE OF UN AND UNF SCREW THREADS

著者にはこの数字の意味が理解できていません。

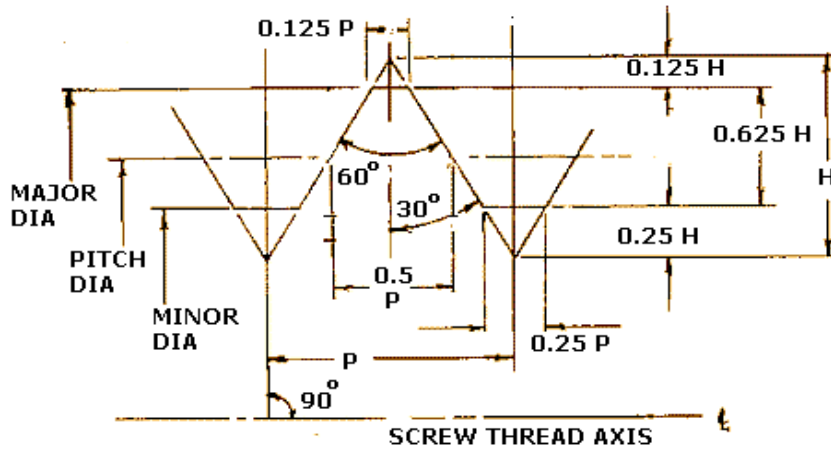
呼び



外径最大値 外径最小値

| Size, TPI, Series | Class | 公差      | 谷径最大値    | 谷径最小値    | 最大ピッチ    | 最少ピッチ    | 最大径(最少)  |
|-------------------|-------|---------|----------|----------|----------|----------|----------|
| Ext. 3/4-16 UNF   | 2A    | 0.0381  | 19.0119  | 18.77314 | 17.98066 | 17.85366 | 17.1196  |
| Int.              | 2B    | 0       | 17.6784  | 17.3228  | 18.18386 | 18.01876 | 19.05    |
| Ext. 3/4-16 UNF   | 3A    | 0       | 19.05    | 18.81124 | 18.01876 | 17.92224 | 17.1577  |
| Int.              | 3B    | 0       | 17.54632 | 17.3228  | 18.14322 | 18.01876 | 19.05    |
| Ext. 3/4-18 UNS   | 2A    | 0.03556 | 19.01444 | 18.79346 | 18.0975  | 17.98066 | 17.3355  |
| Int.              | 2B    | 0       | 17.8562  | 17.526   | 18.28546 | 18.13306 | 19.05    |
| Ext. 3/4-20 UNEF  | 2A    | 0.03302 | 19.01698 | 18.81124 | 18.19148 | 18.07972 | 17.50568 |
| Int.              | 2B    | 0       | 17.9578  | 17.6784  | 18.36928 | 18.2245  | 19.05    |
| Ext. 3/4-20 UNEF  | 3A    | 0       | 19.05    | 18.84426 | 18.2245  | 18.14068 | 17.5387  |
| Int.              | 3B    | 0       | 17.87398 | 17.6784  | 18.33372 | 18.2245  | 19.05    |
| Ext. 3/4-24 UNS   | 2A    | 0.03048 | 19.01952 | 18.83664 | 18.33118 | 18.22704 | 17.75968 |
| Int.              | 2B    | 0       | 18.161   | 17.907   | 18.49628 | 18.36166 | 19.05    |
| Ext. 3/4-27 UNS   | 2A    | 0.03048 | 19.01952 | 18.84934 | 18.40738 | 18.30832 | 17.89938 |
| Int.              | 2B    | 0       | 18.2626  | 18.034   | 18.5674  | 18.43786 | 19.05    |
| Ext. 3            | 2A    | 0.03048 | 19.01952 | 18.85442 | 18.43024 | 18.33372 | 17.93748 |
| Int.              | 2B    | 0       | 18.288   | 18.0594  | 18.58772 | 18.46072 | 19.05    |
| Ext. 3/4-28 UN    | 3A    | 0       | 19.05    | 18.8849  | 18.46072 | 18.38706 | 17.96796 |
| Int.              | 3B    | 0       | 18.22704 | 18.0594  | 18.5547  | 18.46072 | 19.05    |
| Ext. 3/4-32 UN    | 2A    | 0.02794 | 19.02206 | 18.86966 | 18.50644 | 18.415   | 18.06956 |
| Int.              | 2B    | 0       | 18.3896  | 18.1864  | 18.65376 | 18.53438 | 19.05    |
| Ext. 3/4-32 UN    | 3A    | 0       | 19.05    | 18.8976  | 18.53438 | 18.4658  | 18.10512 |
| Int.              | 3B    | 0       | 18.33626 | 18.1864  | 18.62582 | 18.53438 | 19.05    |
| Ext. 13/16-12 UN  | 2A    | 0.04318 | 20.59432 | 20.30476 | 19.22018 | 19.08048 | 18.07464 |
| Int.              | 2B    | 0       | 18.796   | 18.3388  | 19.44624 | 19.26336 | 20.6375  |
| Ext. 13/16-12 UN  | 3A    | 0       | 20.6375  | 20.34794 | 19.26336 | 19.15922 | 18.11782 |
| Int.              | 3B    | 0       | 18.61566 | 18.3388  | 19.40052 | 19.26336 | 20.6375  |
| Ext. 13/16-16 UN  | 2A    | 0.0381  | 20.5994  | 20.36064 | 19.56816 | 19.4437  | 18.7071  |
| Int.              | 2B    | 0       | 19.2786  | 18.923   | 19.76628 | 19.60626 | 20.6375  |
| Ext. 13/16-16 UN  | 3A    | 0       | 20.6375  | 20.39874 | 19.60626 | 19.51482 | 18.7452  |
| Int.              | 3B    | 0       | 19.13382 | 18.923   | 19.72564 | 19.60626 | 20.6375  |
| Ext. 13/16-20 UNE | 2A    | 0.03302 | 20.60448 | 20.39874 | 19.77898 | 19.66722 | 19.09318 |

2 7/8-6 UN to 4-16 UN 呼び ねじサイズ 2 7/8-6 UN to 4-16 UN  
External Thread /Intern:



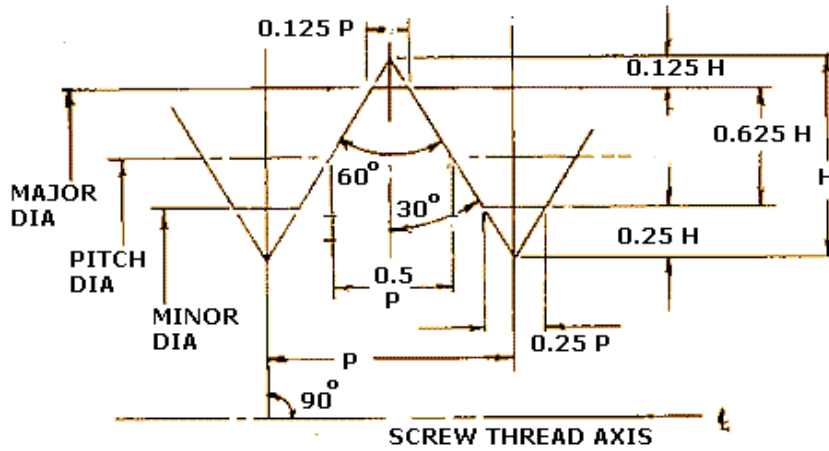
PROFILE OF UN AND UNF SCREW THREADS

著者にはこの数字の意味が理解できていません。

呼び ↓

| Size, TPI, Series | Class | 公差      | 外径最大値<br>谷径最大値 | 外径最小値<br>谷径最小値 | 最大ピッチ    | 最少ピッチ    | 最大径(最少)  |
|-------------------|-------|---------|----------------|----------------|----------|----------|----------|
| Int.              | 2B    | 0       | 19.558         | 19.2532        | 19.95678 | 19.812   | 20.6375  |
| Ext. 13/16-20 UNE | 3A    | 0       | 20.6375        | 20.43176       | 19.812   | 19.72818 | 19.1262  |
| Int.              | 3B    | 0       | 19.46148       | 19.2532        | 19.92122 | 19.812   | 20.6375  |
| Ext. 13/16-28 UN  | 2A    | 0.03048 | 20.60702       | 20.44192       | 20.01774 | 19.92122 | 19.52498 |
| Int.              | 2B    | 0       | 19.8628        | 19.6596        | 20.17522 | 20.04822 | 20.6375  |
| Ext. 13/16-28 UN  | 3A    | 0       | 20.6375        | 20.4724        | 20.04822 | 19.97456 | 19.55546 |
| Int.              | 3B    | 0       | 19.81454       | 19.6596        | 20.1422  | 20.04822 | 20.6375  |
| Ext. 13/16-32 UN  | 2A    | 0.02794 | 20.60956       | 20.45716       | 20.09394 | 20.0025  | 19.66468 |
| Int.              | 2B    | 0       | 19.9644        | 19.7866        | 20.24126 | 20.12188 | 20.6375  |
| Ext. 13/16-32 UN  | 3A    | 0       | 20.6375        | 20.4851        | 20.12188 | 20.0533  | 19.69262 |
| Int.              | 3B    | 0       | 19.92376       | 19.7866        | 20.21332 | 20.12188 | 20.6375  |
| Ext. 7/8-9 UNC    | 1A    | 0.04826 | 22.17674       | 21.64842       | 20.34286 | 20.10156 | 18.81632 |
| Int.              | 1B    | 0       | 19.7612        | 19.177         | 20.70354 | 20.39112 | 22.225   |
| Ext. 7/8-9 UNC    | 2A    | 0.04826 | 22.17674       | 21.82368       | 20.34286 | 20.18284 | 18.81632 |
| Int.              | 2B    | 0       | 19.7612        | 19.177         | 20.5994  | 20.39112 | 22.225   |
| Ext. 7/8-9 UNC    | 3A    | 0       | 22.225         | 21.87194       | 20.39112 | 20.27174 | 18.86458 |
| Int.              | 3B    | 0       | 19.50974       | 19.177         | 20.54606 | 20.39112 | 22.225   |
| Ext. 7/8-10 UNS   | 2A    | 0.04572 | 22.17928       | 21.85162       | 20.52828 | 20.37588 | 19.15668 |
| Int.              | 2B    | 0       | 20.0152        | 19.4818        | 20.77212 | 20.574   | 22.225   |
| Ext. 7/8-12 UN    | 2A    | 0.04318 | 22.18182       | 21.89226       | 20.80768 | 20.66798 | 19.66214 |
| Int.              | 2B    | 0       | 20.3962        | 19.939         | 21.03374 | 20.85086 | 22.225   |
| Ext. 7/8-12 UN    | 3A    | 0       | 22.225         | 21.93544       | 20.85086 | 20.74672 | 19.70532 |
| Int.              | 3B    | 0       | 20.18792       | 19.939         | 20.98802 | 20.85086 | 22.225   |
| Ext. 7/8-14 UNF   | 1A    | 0.04064 | 22.18436       | 21.79066       | 21.0058  | 20.80006 | 20.02536 |
| Int.              | 1B    | 0       | 20.6756        | 20.2692        | 21.31568 | 21.04644 | 22.225   |
| Ext. 7/8-14 UNF   | 2A    | 0.04064 | 22.18436       | 21.92274       | 21.0058  | 20.86864 | 20.02536 |
| Int.              | 2B    | 0       | 20.6756        | 20.2692        | 21.22424 | 21.04644 | 22.225   |
| Ext. 7/8-14 UNF   | 3A    | 0       | 22.225         | 21.96338       | 21.04644 | 20.9423  | 20.066   |
| Int.              | 3B    | 0       | 20.49272       | 20.2692        | 21.18106 | 21.04644 | 22.225   |
| Ext. 7/8-16 UN    | 2A    | 0.0381  | 22.1869        | 21.94814       | 21.15566 | 21.0312  | 20.066   |
| Int.              | 2B    | 0       | 20.8534        | 20.4978        | 21.35378 | 21.19376 | 22.225   |

2 7/8-6 UN to 4-16 UN 呼び ねじサイズ 2 7/8-6 UN to 4-16 UN  
 External Thread /Intern



PROFILE OF UN AND UNF SCREW THREADS

著者にはこの数字の意味が理解できていません。

↓

| 呼び               | Class | 公差      | 外径最大値    | 外径最小値    | 谷径最大値    | 谷径最小値    | 最大ピッチ | 最少ピッチ | 最大径(最少)  |
|------------------|-------|---------|----------|----------|----------|----------|-------|-------|----------|
| Ext. 7/8-16 UN   | 3A    | 0       | 22.225   | 21.98624 | 21.19376 | 21.10232 |       |       | 20.3327  |
| Int.             | 3B    | 0       | 20.72132 | 20.4978  | 21.31314 | 21.19376 |       |       | 22.225   |
| Ext. 7/8-18 UNS  | 2A    | 0.03556 | 22.18944 | 21.96846 | 21.2725  | 21.15566 |       |       | 20.5105  |
| Int.             | 2B    | 0       | 21.0312  | 20.701   | 21.46046 | 21.30806 |       |       | 22.225   |
| Ext. 7/8-20 UNEF | 2A    | 0.03302 | 22.19198 | 21.98624 | 21.36648 | 21.25472 |       |       | 20.68068 |
| Int.             | 2B    | 0       | 21.1328  | 20.8534  | 21.54428 | 21.3995  |       |       | 22.225   |
| Ext. 7/8-20 UNEF | 3A    | 0       | 22.225   | 22.01926 | 21.3995  | 21.31568 |       |       | 20.7137  |
| Int.             | 3B    | 0       | 21.04898 | 20.8534  | 21.50872 | 21.3995  |       |       | 22.225   |
| Ext. 7/8-24 UNS  | 2A    | 0.03048 | 22.19452 | 22.01164 | 21.50618 | 21.40204 |       |       | 20.93468 |
| Int.             | 2B    | 0       | 21.336   | 21.082   | 21.67128 | 21.53666 |       |       | 22.225   |
| Ext. 7/8-27 UNS  | 2A    | 0.03048 | 22.19452 | 22.02434 | 21.58238 | 21.48332 |       |       | 21.07438 |
| Int.             | 2B    | 0       | 21.4376  | 21.209   | 21.7424  | 21.61286 |       |       | 22.225   |
| Ext. 7/8-28 UN   | 2A    | 0.03048 | 22.19452 | 22.02942 | 21.60524 | 21.50872 |       |       | 21.11248 |
| Int.             | 2B    | 0       | 21.463   | 21.2344  | 21.76272 | 21.63572 |       |       | 22.225   |
| Ext. 7/8-28 UN   | 3A    | 0       | 22.225   | 22.0599  | 21.63572 | 21.56206 |       |       | 21.14296 |
| Int.             | 3B    | 0       | 21.40204 | 21.2344  | 21.7297  | 21.63572 |       |       | 22.225   |
| Ext. 7/8-32 UN   | 2A    | 0.02794 | 22.19706 | 22.04466 | 21.68144 | 21.59    |       |       | 21.25218 |
| Int.             | 2B    | 0       | 21.5646  | 21.3614  | 21.82876 | 21.70938 |       |       | 22.225   |
| Ext. 7/8-32 UN   | 3A    | 0       | 22.225   | 22.0726  | 21.70938 | 21.6408  |       |       | 21.28012 |
| Int.             | 3B    | 0       | 21.51126 | 21.3614  | 21.80082 | 21.70938 |       |       | 22.225   |